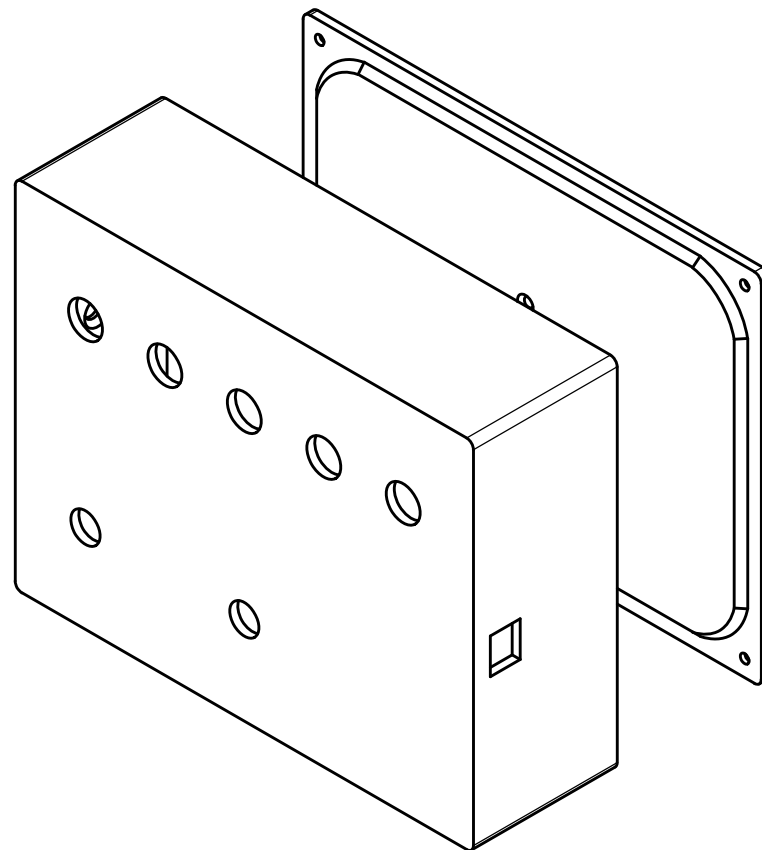


2

1



B

B



A

A

UNLESS OTHERWISE SPECIFIED, DIMENSIONS ARE IN INCHES .XX = ±.0- .XXX = ±.00- .XXXX = ±.000- SURFACE FINISH 		NAME	DATE	TITLE <b>RACING SIMULATOR BUTTON BOX</b>	
DO NOT SCALE DRAWING	DRAWN	TAYLOR DANISKA	03/06/2026		
BREAK ALL SHARP EDGES AND REMOVE BURRS	CHECKED				
THIRD ANGLE PROJECTION 	APPROVED				
	MATERIAL	FINISH	SIZE <b>A</b>	DWG NO. <b>26-239-0002</b>	REV. <b>A</b>
			SCALE 1:2	WEIGHT	SHEET 1 of 3

2

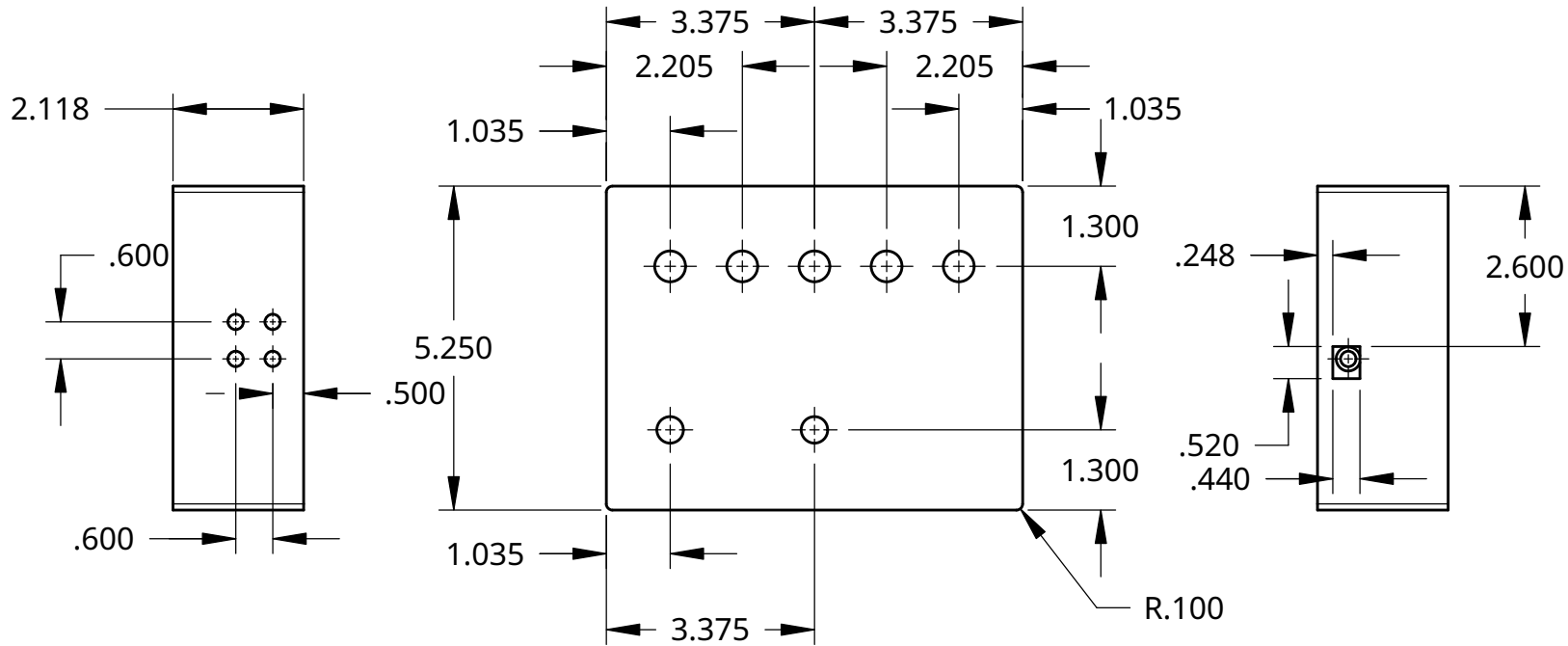
1

2

1

B

B



A

A

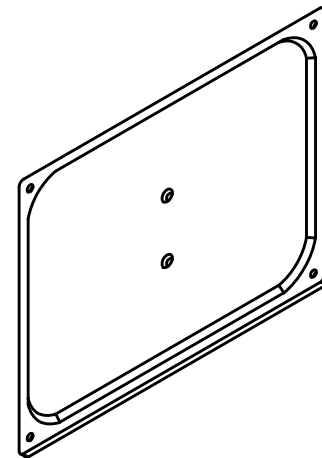
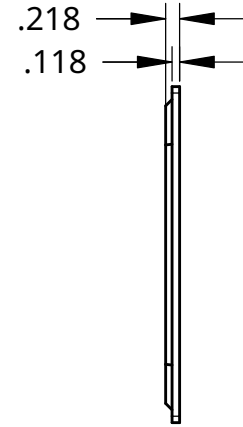
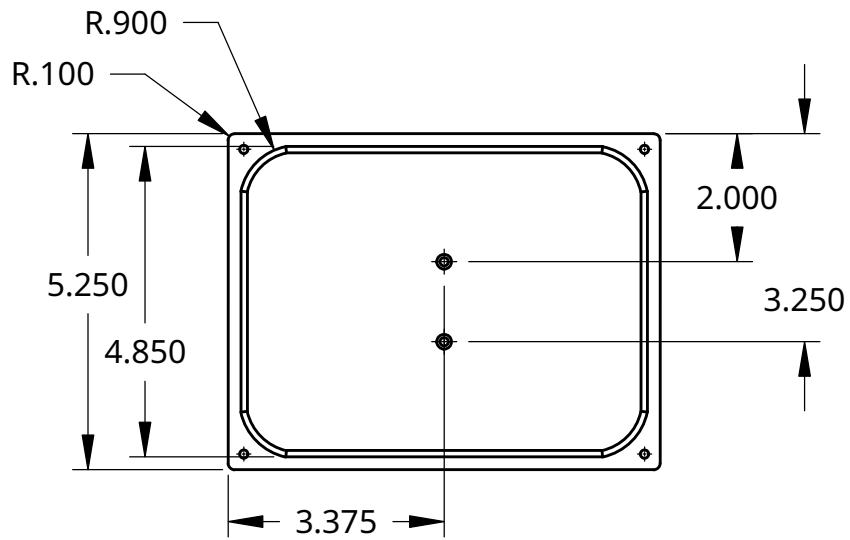


2

1

2

1



DWG NO.	26-239-0002	SIZE	A	SCALE	1:3	SHEET	3 of 3	REV.	A
---------	-------------	------	---	-------	-----	-------	--------	------	---

2

1

B

B

A

A