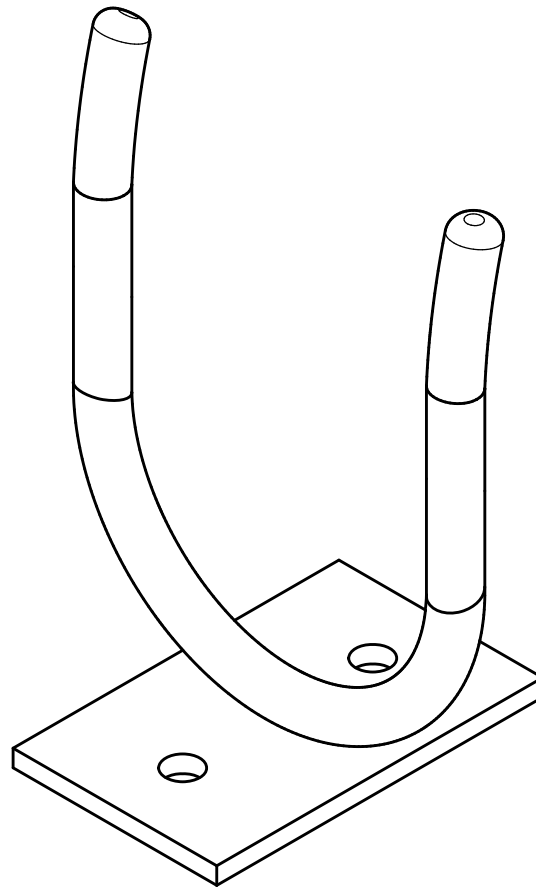


2

1



B

B



A

A

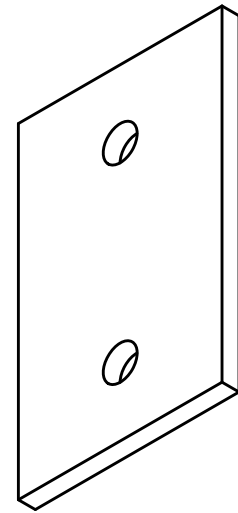
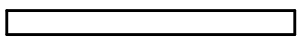
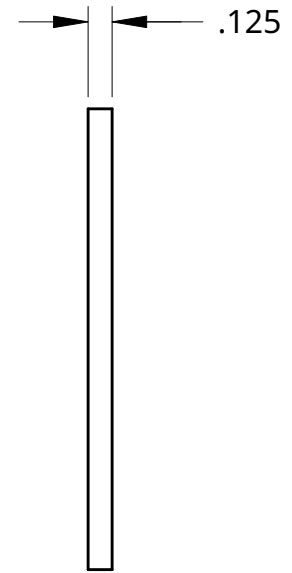
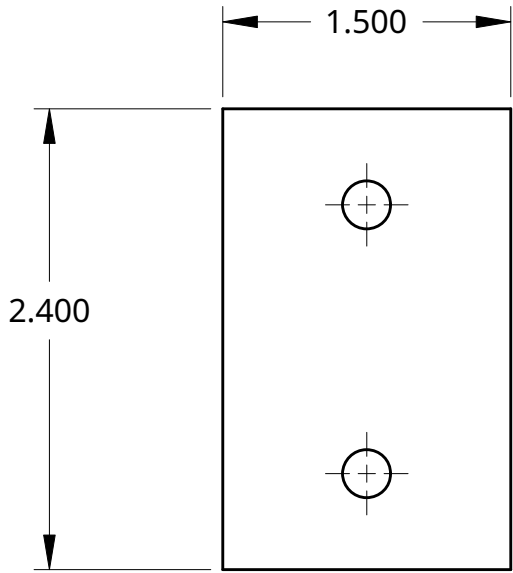
UNLESS OTHERWISE SPECIFIED, DIMENSIONS ARE IN INCHES .XX = ±.0- .XXX = ±.00- .XXXX = ±.000- SURFACE FINISH  DO NOT SCALE DRAWING BREAK ALL SHARP EDGES AND REMOVE BURRS THIRD ANGLE PROJECTION 		NAME	DATE			
	DRAWN	TAYLOR DANISKA	07/07/2016	TITLE GUITAR HANGER		
	CHECKED					
	APPROVED					
				SIZE	DWG NO.	REV.
				A	16-248-0001	A
	MATERIAL	FINISH		SCALE	WEIGHT	SHEET
				1:1		1 of 3

2

1

2

1



B

B

A

A

2

1

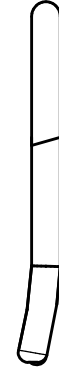
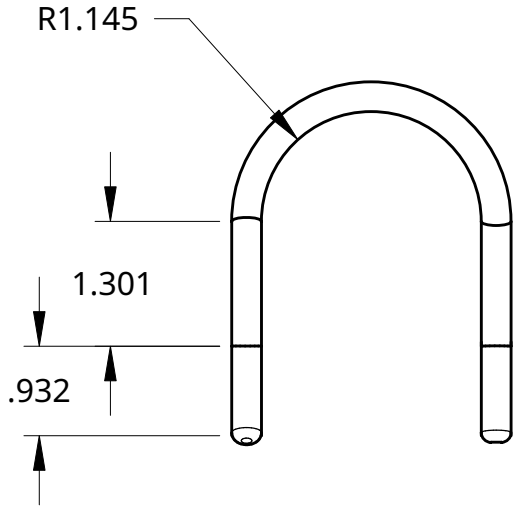
DWG NO.	16-248-0001	SIZE	A	SCALE	1:1	SHEET	2 of 3	REV.	A
---------	-------------	------	---	-------	-----	-------	--------	------	---

2

1

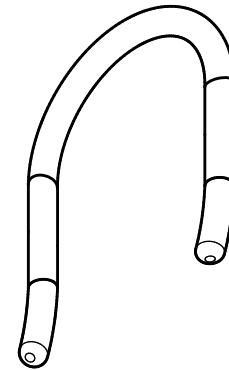
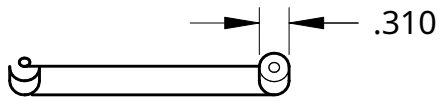
B

B



A

A



DWG NO.	16-248-0001	SIZE	A	SCALE	1:2	SHEET	3 of 3	REV.	A
---------	-------------	------	---	-------	-----	-------	--------	------	---

2

1