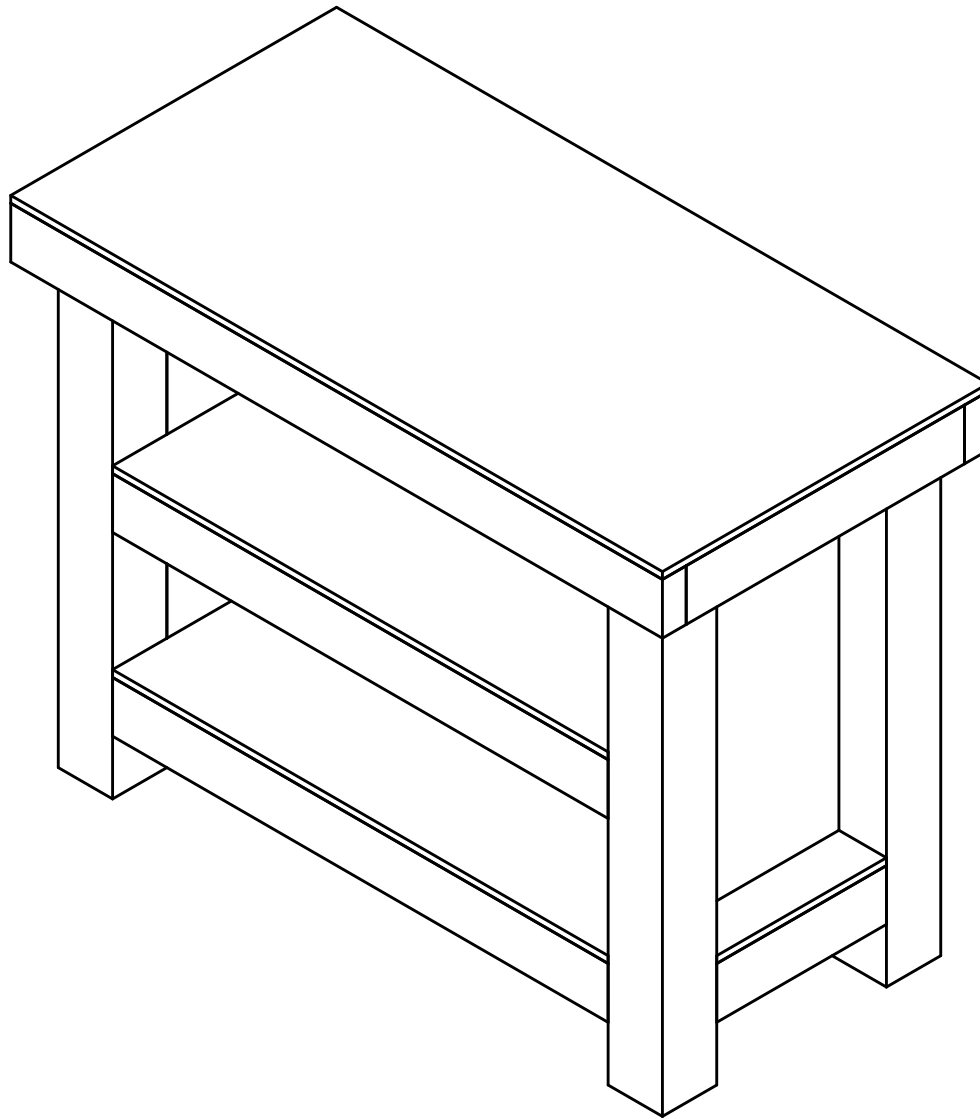


2

1



B

B

A

A

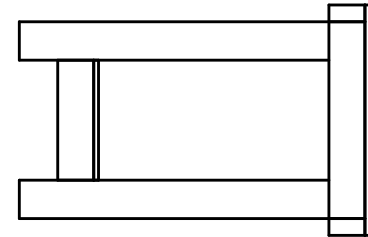
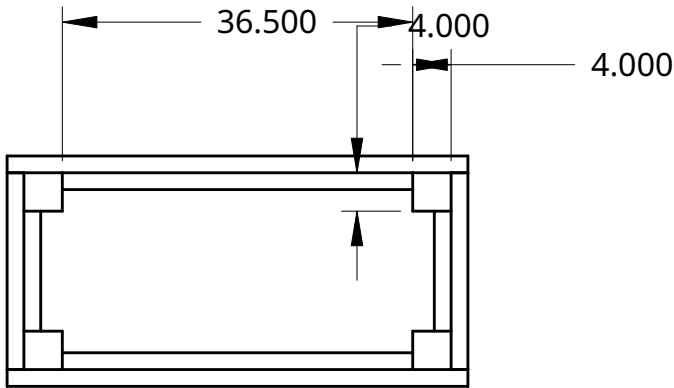
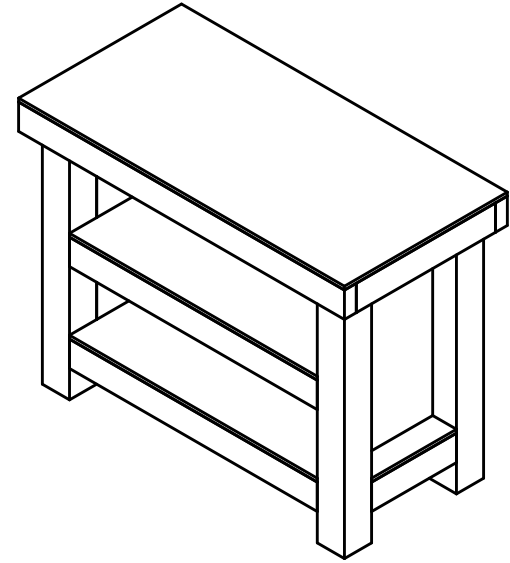
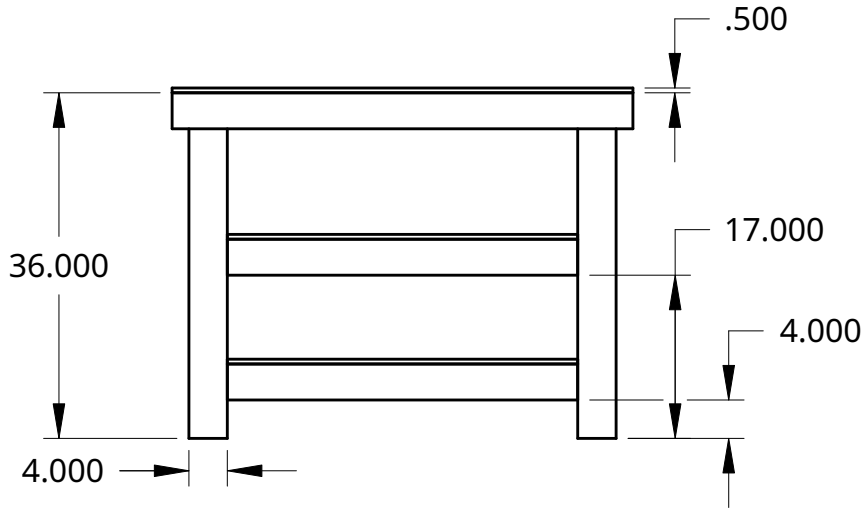
UNLESS OTHERWISE SPECIFIED, DIMENSIONS ARE IN INCHES .XX = ±.0- .XXX = ±.00- .XXXX = ±.000- SURFACE FINISH		NAME	DATE		
DO NOT SCALE DRAWING		DRAWN	TAYLOR DANISKA	09/28/2025	
BREAK ALL SHARP EDGES AND REMOVE BURRS		CHECKED			TITLE
THIRD ANGLE PROJECTION 		APPROVED			STURDY WORKBENCH
		MATERIAL	FINISH	SIZE	DWG NO.
				A	25-351-0001
				SCALE	WEIGHT
				1:10	
				SHEET	REV.
				1 of 3	A

2

1

2

1



2

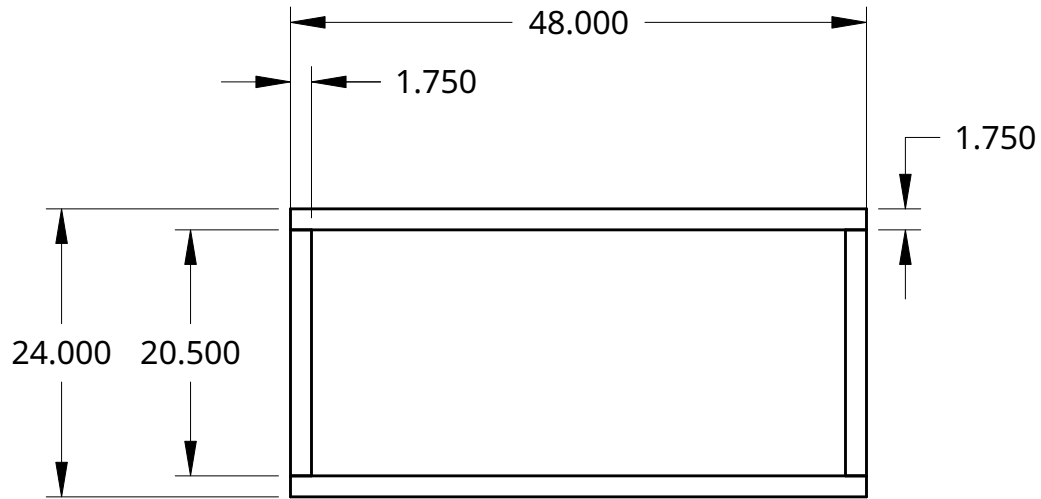
1

2

1

B

B



A

A

2

1

DWG. NO.	25-351-0001	SIZE	A	SCALE	1:16	SHEET	3 of 3	REV.	A
----------	-------------	------	---	-------	------	-------	--------	------	---